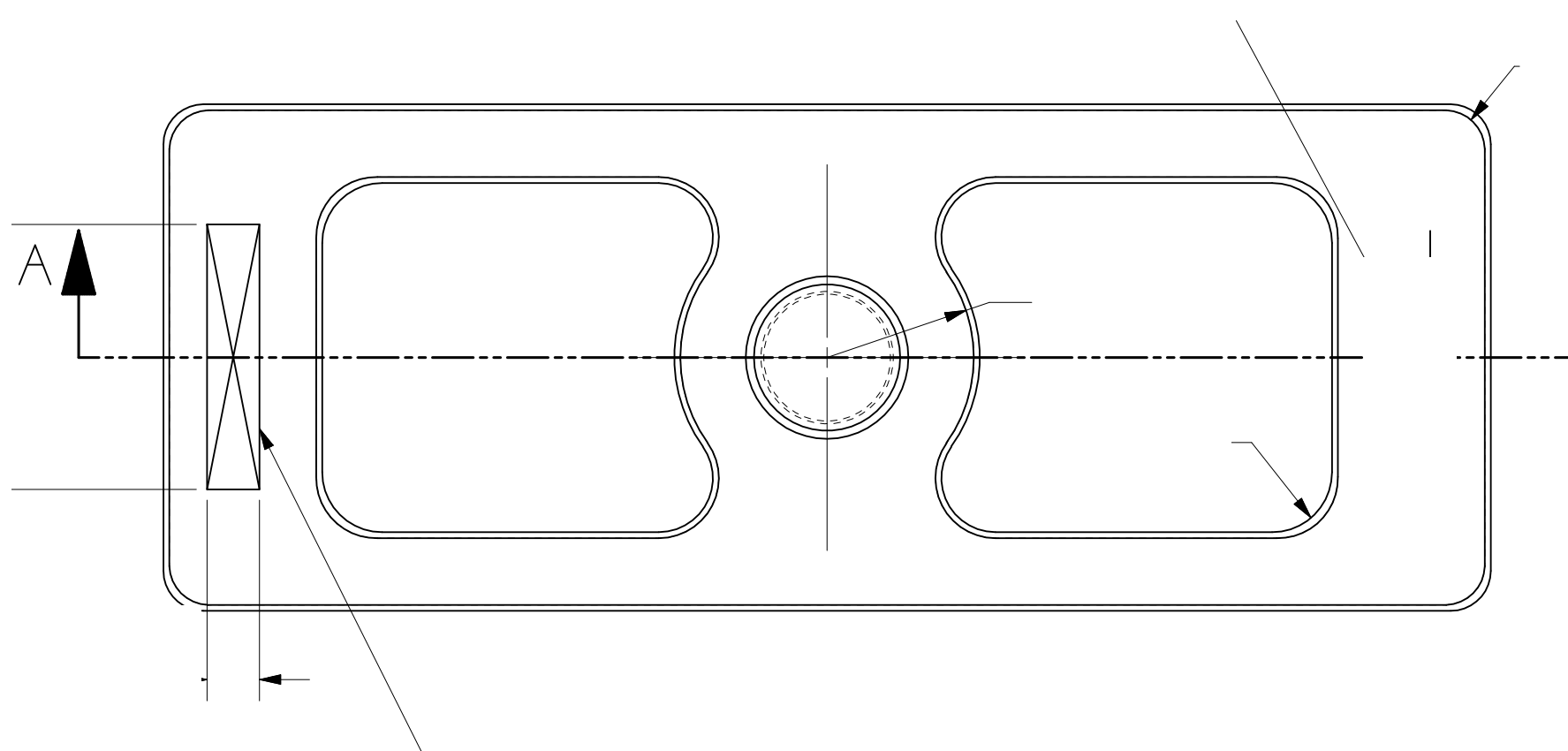


7 6 5 4 3 2 1

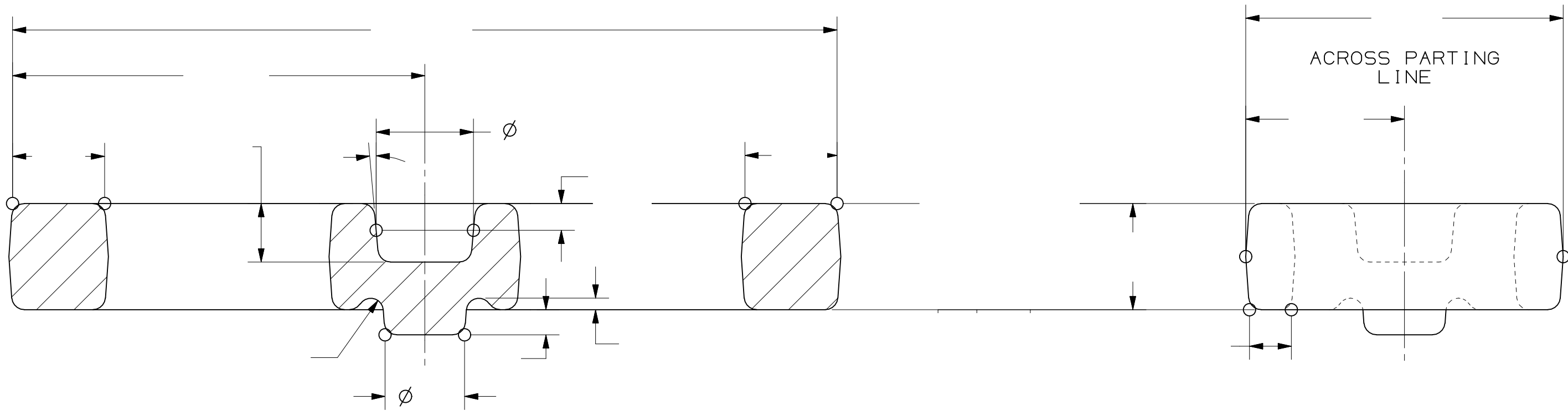
E

E



D

D



C

C

B

B

BY	CHK	ENG	PCR	THIS INFORMATION DEMAND, INDIRE
DATE	DATE	DATE	DATE	

CAD FILE UPDATE ON CAD SYSTEM ONLY METRIC UNLESS U1 TOLERANCE ACCORDANC

IN 982

SHEET NO.	1 OF 1
DWG. SIZE	C
MODEL WEIGHT	X.X LBS.
SCALE	1:1

DESCRIPTION
SPACER CASTING
25.4 MM THICK

TOL
X.
X.
X.
AN
DRI
UP
OV
OV

/VAULT/AIR.4SPG/SPCR

7 6 5 4 3 2 1

A

A